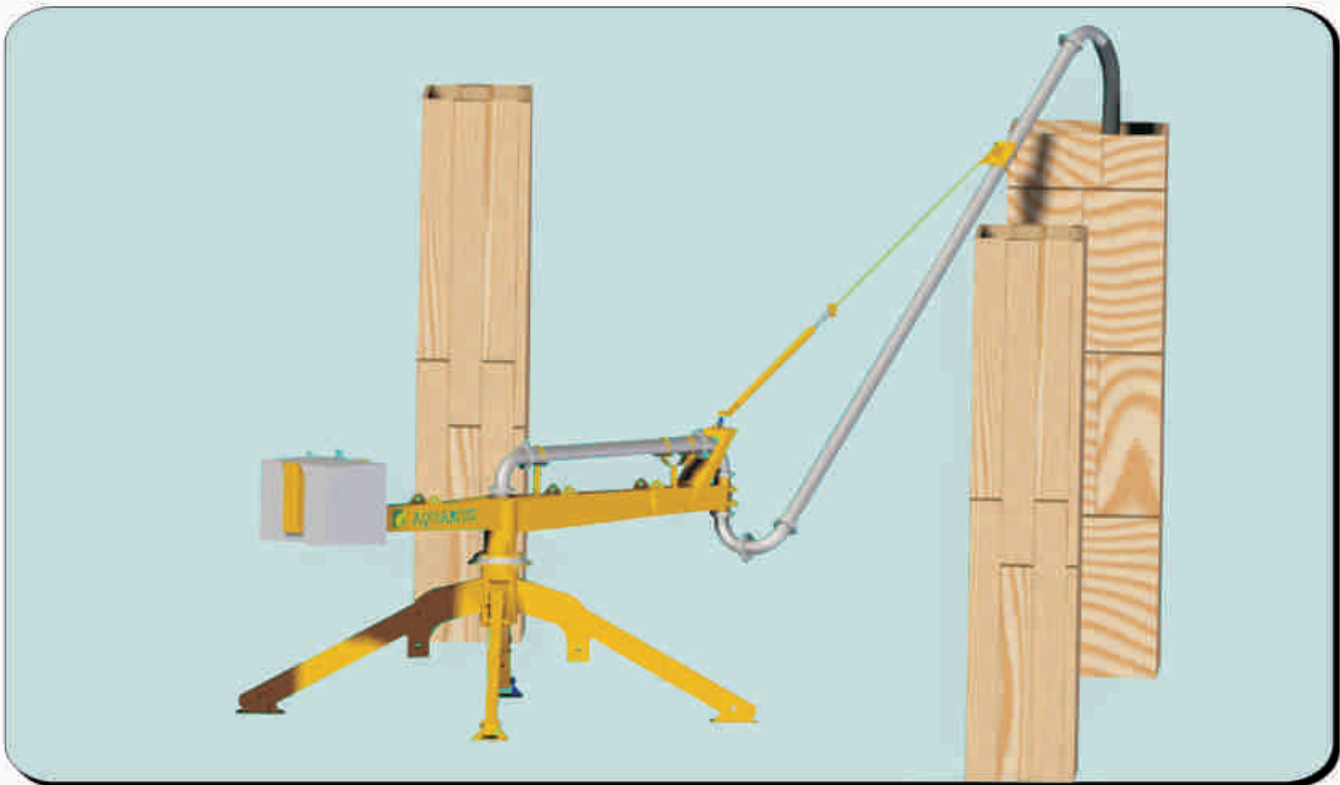


AQUARIUS HYDRO MECHANICAL DISTRIBUTOR CD-HM 08



The **AQUARIUS CD-HM 08** provides an inexpensive solution, as a practical complement to stationary concrete pumps, when separate concrete placing booms cannot be used to their full value. The reach of a placing boom on a truck mounted concrete pump can also be improved with the help of this distributor in the decisive last few meters to give a more extensive working range.

The placing of concrete with a distributor is just as easy as when working with the end hose of a concrete placing boom. Stable construction with no fragile or additional parts to mount, makes this unit exceptionally economical to run and maintain. The distributor is very light in weight and hence easy to transport. Moreover, a well - proven service and spares back up, make the **AQUARIUS CD-HM 08** the most preferred solution for on-site applications.

Technical Specifications:

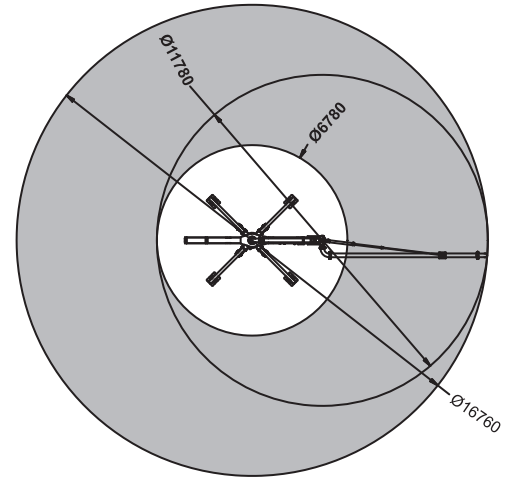
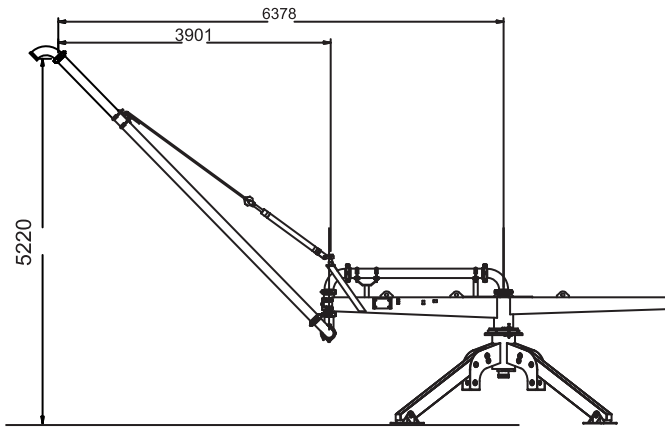
Number Of Arms	2 Nos.
A Arm Length	2500 mm
B Arm Length	5860 mm
Max. Horizontal Reach From Center	8380mm
Max. Vertical Reach From Floor	5220mm
Concrete Pipeline Diameter	125 mm
Weight of the Distributor	1260 kg
Counter Weight Required	2 x 400 kg

Aquarius Engineers manufactures a wide range of Concrete Pumps and Concrete Batching Plants at their state-of-art manufacturing plants in Goa and Pune. With a consistent focus on delivering international quality products, Aquarius offers the latest in technology from its extensive equipment portfolio. Clients have come to look upon Aquarius as their long-term partner in successful project implementations.

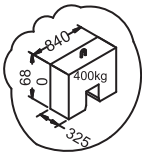
...sharing knowledge



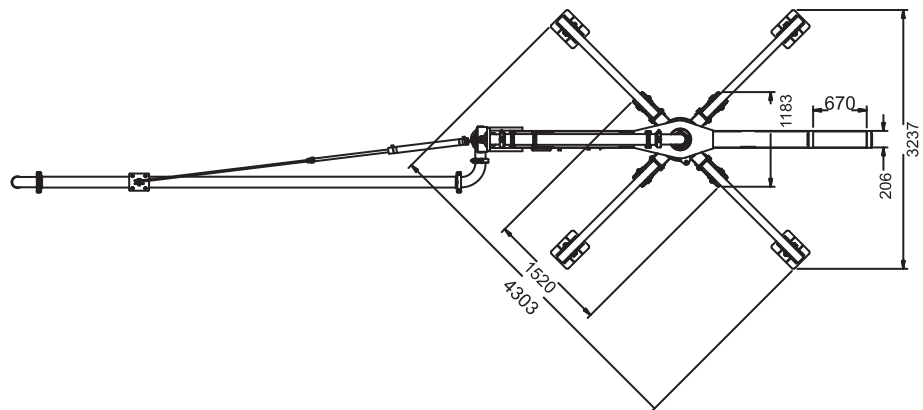
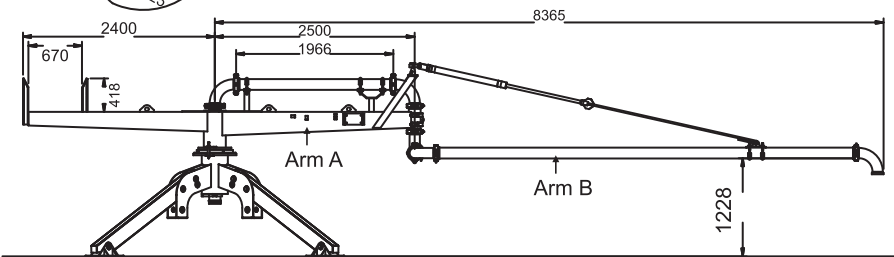
Dimensional details:



Reach Diagram



QTY - 2NOS.



Performance of equipment is based on standard working conditions. Design / Specifications can be changed without prior notice.



AQUARIUS ENGINEERS PVT. LTD.
Concrete Pumps, Batching Plants, Slipform Pavers

'Aquarius House', Sheelavihar Colony,
 Off Karve Road, Pune 411 038. INDIA
 Tel.: +91 20 2544 5227 Fax: +91 20 2544 5228
 E-mail: info@aquariusengineers.biz
 Web: www.aquariusengineers.biz

Mfd. by : Putzmeister India Pvt. Ltd.
 190, 191, Kundaim Industrial Estate, Ponda, Goa 403 115 India

Local Contact :